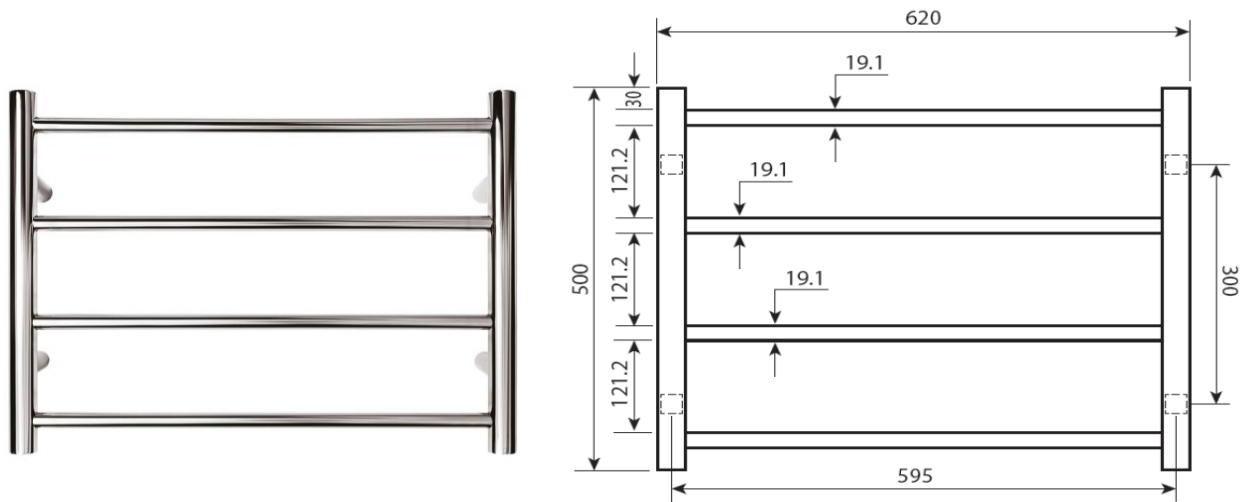


# Commercial Series Heated 4 Bar Towel Rail ROUND Polished Stainless Steel Low Voltage

Product Code: HTR-TR040212V  
Dimensions: 620(w) x 500(h) x 120(d) mm

## Features:

- 4 Bars
- 304 Grade Polished Stainless Steel



Note: Manufacturing tolerances could cause variances of  $\pm 5$ mm.

## Additional Information:

- 12volt. Transformer sold separately. Wire connection from rail to transformer provided by electrician
  - Ingress protection Rating - 12 volt
- Class 1 appliance - requires an earth connection
- This towel rail should be mounted vertically at least 600mm above the floor with the cord exiting from the base



Guaranteed against manufacturing defects



Stainless Steel



Fixing accessories included



Timer available



L V R



+